

# HPLC Application

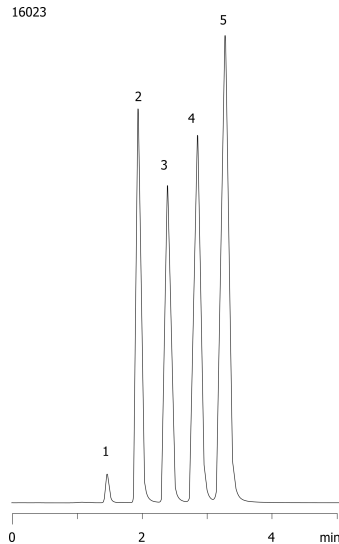
ID No.: 16023

## Prodigy Test Mix using Onyx C18E 100x3.0mm (0.4mL/min)

**Column:** Onyx™ Monolithic C18, LC Column 100 x 3 mm, Ea  
**Dimensions:** 100 x 3 mm ID  
**Order No:** CH0-8158  
**Elution Type:** Isocratic  
**Eluent A:** Water  
**Eluent B:** Acetonitrile  
**Gradient**

Step No.	Time (min)	Pct A	Pct B
1	0	35	65

**Profile:**  
**Flow Rate:** 0.4 mL/min  
**Col. Temp.:** ambient  
**Detection:** UV-Vis Abs.-Variable Wave.(UV) @ 254 nm (ambient)



### ANALYTES:

- 1 Uracil
- 2 Acetophenone
- 3 Benzene
- 4 Toluene
- 5 Naphthalene



Products used in this application:

